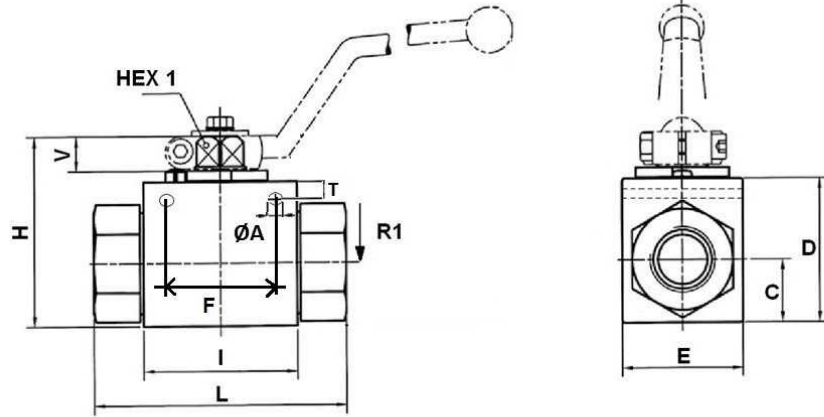


2 ways

2 Ways ball valve BSP female with holes

Mild Steel

1/1



Standard o-ring: NBR

Ball seat: POM (polyoxy methylene)

Tmin/Tmax: -20°C/+100°C

Part n°	DN	R1	MAX. PRESSURE (bar)	HEX 1	ØA	C	D	E	F	H	I	L	T	V
GB2V 1/4	6	1/4" BSP	500	9	4,5	13	32	28	26	44,5	37	69	5	8
GB2V 3/8	10	3/8" BSP	500	9	6,5	17	40	32	32	52,5	42	72	5	8
GB2V 1/2	13	1/2" BSP	500	9	6,5	17	40	35	37,5	52,5	48	83	4,8	8
GB2V 3/4	20	3/4" BSP	500	14	6,5	24	57	48	45	75	60	95	6,5	12
GB2V 1	25	1" BSP	500	14	6,5	28,5	64	57	55	82	65	113	6	12

*** Review attached PDF***